

SCORPION MONO STINGER™ CAMERA

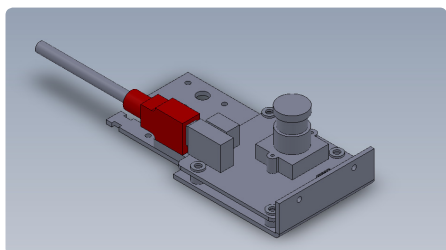
SCOPE

Scorpion Stinger™ is a family of machine vision components and products. They provide building blocks for OEM and system integrators.

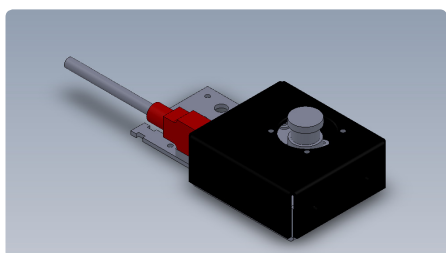
Scorpion Stinger™ products have focus on:

- industrial strength
- functionality
- low cost

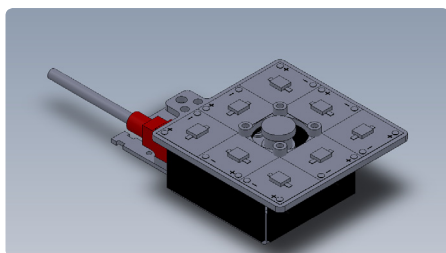
The Scorpion Mono Stinger™ Camera are compatible with all versions of Scorpion Vision Software.



Scorpion Mono Stinger™ Base



Scorpion Mono Stinger™ Base and Cover



Scorpion Mono Stinger™ Base, Cover and SLB 3x3 LED light

SPECIFICATION

The Scorpion Mono Stinger™ Camera consists of a base, which is converted to an enclosure by adding a cover. Mounted on the base there is a VGA board camera in monochrome or color. The camera has a standard 12 mm lens base. On the cover there are mounting holes for led light SLB 3x3 brackets. The led can be protected by a plastic window cover. When designing your Mono Stinger unit, select from the list:

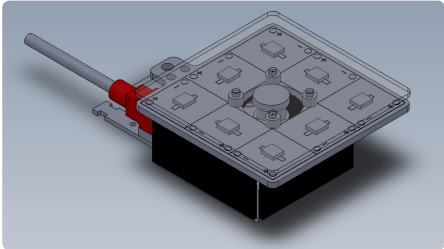
ARTICLE	NAME	DESCRIPTION
Base unit		
STG-Mono-Base	Mono Stinger Base	
Cameras		
STG-Mono-VGA-Color-N	Mono Stinger VGA Color Camera	Color VGA Camera Firewire 30 fps, N mm plastic lens, includes STG-Mono-Base
STG-Mono-VGA-4.3-BW-N	Mono Stinger VGA BW Camera	BW VGA Camera Firewire 30 fps, N mm plastic lens, includes STG-Mono-Base
Accessories		
STG-Mono-Cover	Mono Stinger Cover	
STG-Mono-SLB 2x2 - 9W/24V	Mono Stinger 2x2 Led 24 Volt	2 x 2 - 4 1.2 Watt Leds mounted on a Led base. One 9W Led driver - supply 24 V
STG-Mono-SLB 2x2 - 9W/220V	Mono Stinger 2x2 Led 220 Volt	2 x 2 - 4 1.2 Watt Leds mounted on a Led base. One 9W Led driver - supply 220 V
STG-Mono-SLB 3x3 - 9W/24V	Mono Stinger 3x3 Led 24 Volt	3 x 3 - 9 1.2 Watt Leds mounted on a Led base. Two 9W Led drivers - supply 24 V
STG-Mono-SLB 3x3 - 9W/220V	Mono Stinger 3x3 Led 220 Volt	3 x 3 - 9 1.2 Watt Leds mounted on a Led base. Two 9W Led drivers - supply 220 V
STG-Mono-Window	Mono Stinger Window	Plastic Windows to be mounted on top of STGMono-Cover or STG-Mono-SLB
Scorpion Vision Software		
STG-Mono-OpenCV	Mono OpenCV	Scorpion OpenCV license for one Mono Stinger camera includes complete scripting support for OpenCV image processing library
STG-Mono-Align	Mono Align	Object Align license for one Mono Stinger camera includes complete scripting support and sub-pixel object align tools
STG-Mono-Lite	Mono Lite	Scorpion Lite license for one Mono Stinger camera, including SW for 1D and 2D barcode reading
STG-Mono-Basic	Mono Basic	Scorpion Basic license for one Mono Stinger camera, including SW for 1D and 2D barcode reading
STG-Mono-Basic 3D	Mono Basic 3D	Scorpion Basic 3D license for one Mono Stinger camera includes 3D Basic Option

Other lenses and Firewire cables upon request. See the Scorpion Mono Stinger™ pricelist for a complete overview.



SCORPION MONO STINGER™ BOARD CAMERA

The Board Camera is a board-level fully operational FireWire 400 Mbps camera, complying with IIDC specification for industrial uncompressed VGA picture acquisition. Built around Texas Instruments 1394 digital camera chipset and Sony® Wfine CCD sensors, it is a high quality subassembly for OEM use.



Scorpion Mono Stinger™ Base, Cover, SLB 3x3 and Window cover

COMMON FEATURES

- Progressive scanning allows full frame non-interlaced acquisition and shuttering
- 1/4" CCD, progressive, 659(H)x494(V) square pixels, identical horizontal and vertical resolutions
- Pixel size 5.6 um (H) x 5.6 um (V)
- Low smear, high sensitivity, low dark current
- Excellent anti-blooming
- VGA output up to 30 fps
- Continuous variable electronic shutter
- Outstanding low power consumption 0.9 W typical
- Standard lens base M12x0.5

COLOR VERSION FEATURES

- CCD Sony ICX-098BQ
- 640x480 VGA out at 30 fps
- 320x240
- 160x120
- Control of gain, shutter, black level, gamma, sharpness, white balance, color saturation

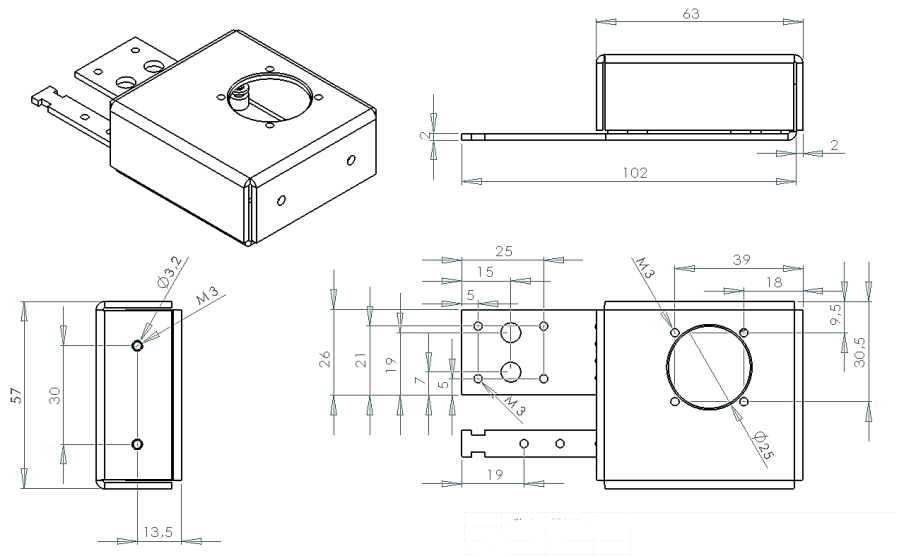
BLACK AND WHITE VERSION FEATURES

- CCD Sony ICX-098BL
- 640x480 VGA out at 30, 15, 7.5, 3.75 fps in Y-8
- control of gain, shutter, black level, gamma, sharpness,

LENS

The lens can have a focal length from 1.9 mm to 50 mm. The standard is 4.3 mm, 8.0 mm or 12.0 mm.

BASE AND COVER DIMENSIONS



For more information:



Tordivel AS
Phone +47 2315 8700
Fax +47 2315 8701
office@tordivel.com
www.scorpionvision.com

Scorpion Stinger™ and Scorpion Mono Stinger™ are trademarks of Tordivel AS.
© 2011 Tordivel AS